

**Errata for the 11th and 12th Printings of
"Understanding Digital Signal Processing, 2/E",
by Richard Lyons**

I beg your pardon for the typographical errors in the book.
It will not take long to make these corrections. I promise.
-Rick Lyons-

Page 7: In the third line below Eq. (1-7), the text:

"... indicate that $X_{\text{sum}}(n)$ has a frequency ..."

The uppercase "X" should be lowercase "x" as:

"... indicate that $x_{\text{sum}}(n)$ has a frequency ..."

[Found by Angela Livingstone, 3/30/08; [Production Error]

Page 37: The " f_s " labels, within the arrows, at the very bottom of Figure 2-13 should be " $f_s/2$ ".

[Found by Author [6/20/06].][Author Error]

Page 38: In the fifth line up from the bottom of the page, the text:

"... where m_{odd} is an odd integer[14]."

should be changed to:

"... where m_{odd} is an odd integer greater than one[14]."

[Found by Jim Murphy [9/14/05] & Justin Reeves [6/20/06].][Author Error]

Page 40: In the 2nd line below Eq. (2-14), the text:

" $m = 2$ provide an optimum ..."

should be changed to:

" $m_{\text{even}} = 2$ provide an optimum ..."

[Found by Justin Reeves, 6/20/06.][Author Error]

Page 42: In the middle of Table 2-2, on the right side, the text:

" m_{odd} is any positive odd integer ..."

should be changed to:

" m_{odd} is an odd integer greater than one ..."

[Found by Justin Reeves, 6/20/06.][Author Error]

Page 48: The incorrect letter "v" in the third line of Eq. (3-4d) should be replaced with a "·" multiplication symbol.

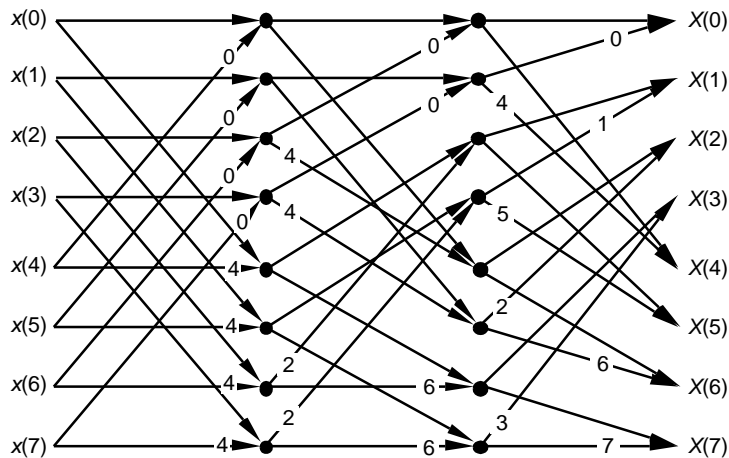
[Found by Uday Padmanabhan, 11/19/08.][Author Error]

Page 93: The last term in Equ. 3-37 has a missing minus sign in its exponent. The last term should be:

$$\dots + e^{-jq(k-1)}]$$

[Found by Stan Moore, 3/19/12.][Production Error]

Page 143: In Figure 4-10, in the middle stage there is the number 4 on the 1st and 2nd (counting down from the top) southeast-pointing arrows. Those 4s should not be there. The 4s should be on the 3rd and 4th southeast-pointing arrows of the middle stage as shown below.



[Found by Antoine Trux, 1/2/07.][Author Error]

Page 196: The upper limit of the summation in Eq. (5-26) is printed as:

$$"P + Q - 1"$$

It should be:

$$"P + Q - 2"$$

[Found by Author, 5/10/08.][Author Error]

Page 244: The normalized-frequency labeling (radians/sample) on the frequency axis of Figures 6-24(b) and 6-24(c) should be changed as:

- 2π changed to -4π
- π changed to -2π
- π changed to 2π
- 2π changed to 4π

[Found by Author, 10/17/08.][Author Error]

Page 257: In the eleventh line below Eq. (6-87)

"... Figure 6-21(b). Knowing that ..."

should be changed to:

"... Figure 6-**22**(b). Knowing that ..."

[Found by Yancen Li (7/14/14)]; [Author Error]

Page 264: In the 6th line of the first full paragraph, the text:

"...squeezed in toward zero Hz."

should be:

"...squeezed in toward $f_s/2$ Hz."

[Found by VV (vanamali), 3/12/09.] [Author Error]

Page 264: In the next to the last line of the first full paragraph there's a missing "|" vertical bar character indicating "magnitude". The text:

"...in $|H_d(f_d)-...$ "

should be:

"...in $|H_d(f_d)|-...$ "

[Found by Author, 7/14/05.] [Author Error]

Page 267: There is a missing "x(n)" factor in Equation (6-114), the first part of that equation should be:

$$y(n) = 0.20482712 \cdot \mathbf{x(n)} + 0.40965424 \cdot x(n-1) + \dots$$

[Found by Kendall Castor-Perry, 5/3/09.] [Author Error]

Page 286: The feedback coefficient of the resonator in Figure 7-3, printed as:

$$e^{j\omega r}$$

it should be changed to:

$$e^{j\omega r}$$

[Found by Author, 7/14/09.] [Production Error]

Page 345: On the right side of Figure 8-8 the term $e^{j2\pi f_0 t}$ should be divided by two, making it

$$e^{j2\pi f_0 t}/2.$$

[Found by John Littig, 9/24/07.] [Author Error]

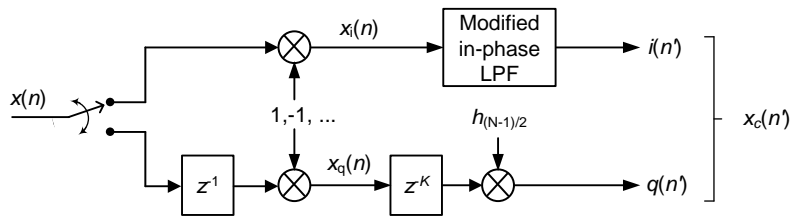
Page 353: In the sentence just before Eq. (8-17), the described notion of orthogonality of $i(n)$ and $q(n)$ is only conditionally true. Because this orthogonality topic was not described in sufficient detail, I suggest you strike out both the sentence just before Eq. (8-17) as well as Eq. (8-17) itself.

[Found by Ken Walsh, 5/9/06.] [Author Error]

Page 478: in the fifth line down, delete the text:

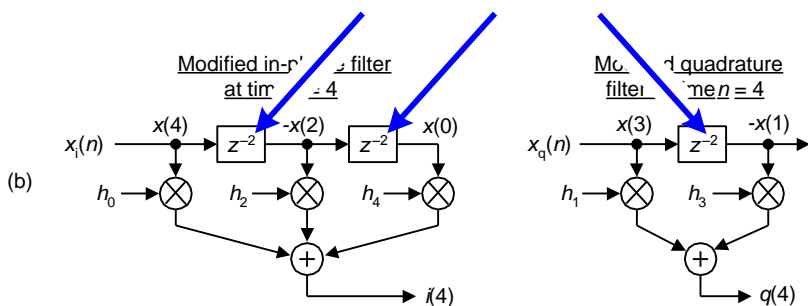
"...followed by another K delay..."

In Figure 13-6(c) the final z^{-K} delay block should be deleted making that figure look as follows:

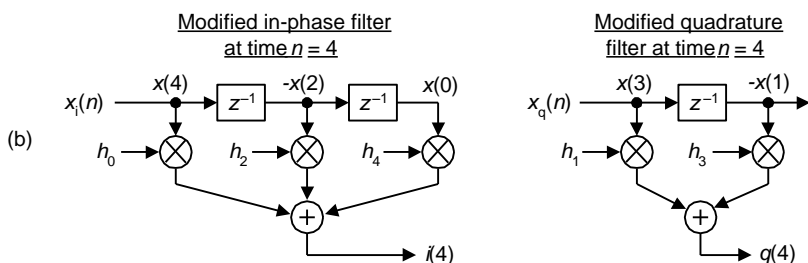


[Found by Brian Frantz, 8/8/17.] [Author Error]

Page 479: In Figure 13-6(b) the superscripted "-2" characters shown by the large arrows below:



Should be changed from "-2" to "-1" making Figure 13-6(b) become:



[Found by Damon Bradley, 10/1/09.] [Author Error]

Page 484: Equation (13-10) has suffered a series of "foul-ups" in different Printings of the book. Eq. (13-10) should be:

$$\begin{aligned}
 W(m) &= \sum_{n=0}^{N-1} \alpha e^{-j2\pi nm/N} - \frac{\beta}{2} \cdot \sum_{n=0}^{N-1} e^{j2\pi n/N} e^{-j2\pi nm/N} - \frac{\beta}{2} \cdot \sum_{n=0}^{N-1} e^{-j2\pi n/N} e^{-j2\pi nm/N} \\
 &= \alpha \sum_{n=0}^{N-1} e^{-j2\pi nm/N} - \frac{\beta}{2} \cdot \sum_{n=0}^{N-1} e^{j2\pi n(m-1)/N} - \frac{\beta}{2} \cdot \sum_{n=0}^{N-1} e^{-j2\pi n(m+1)/N}. \quad (13-10)
 \end{aligned}$$

[Found by Author, 3/22/04.] [Author Error]

Page 518: For more accurate results, the "12/M" factor at the beginning of Eq. (13-70) should be changed to $\sqrt{12/M}$. Thus Eq. (13-70) should be:

$$y_{\text{desired}}(n) = \sqrt{\frac{12}{M}} \cdot \sigma' \cdot \left[\left(\sum_{k=1}^M x_k(n) \right) - \frac{M}{2} \right] + \mu'. \quad (13-70)$$

[Found by Bharat Pathak, 7/13/07.] [Author Error]

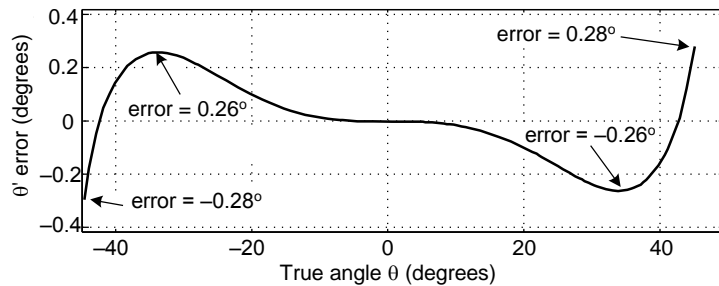
Page 548: 4th line below Eq. (13-107), change the text:

"... 0.26° using ..."

to

"... 0.28° using ...".

For preciseness, you might note on Figure 13-59 that the error is -0.28° at True $\theta = -45^\circ$, and the error is $+0.28^\circ$ at True $\theta = +45^\circ$, as shown in the following figure.



[Found by Chris Zarowski, 4/27/06.][Author Error]

Page 549: 4th line below Eq. (13-109'), change the text:

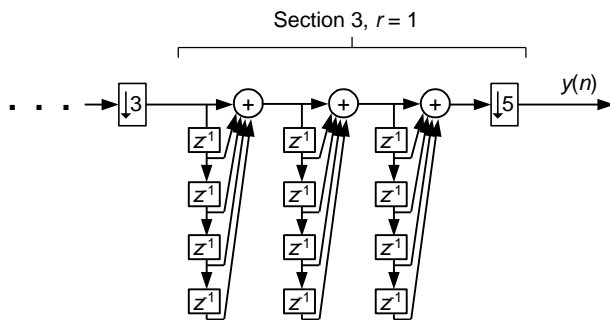
"... error is 0.26° for ..."

to

"...error is 0.28° for ...".

[Found by Chris Zarowski, 4/27/06.][Author Error]

Page 560: In Figure 13-70(b), on the right side in the "Section 3, $r = 1$ " part of the figure, there should be three stages of delay lines instead of only two stages as shown in the figure. That "Section 3, $r = 1$ " part of the figure should look like the following:



[Found by Mike Totham, 8/31/07.][Author Error]

Page 561: Equation (13-123) has a missing $1/N$ scale factor in front of the summation. That equation should be:

$$M(q) = \frac{1}{N} \sum_{k=qN}^{(q+1)N-1} x(n) \quad (13-123)$$

[Found by Author, 8/24/08.][Production Error]

Page 569: In the right $X_{int}(m)$ column of Table 13-8, the underline character associated with row $m = 9$ should be a zero "0" value as follows:

m	$X_{int}(m)$
...	...

9 0
... ...

[Found by Author, 3/21/09.][Production Error]

Page 607: Two corrections: In the second line of Eq. (D-7), the term:

"... $-\cos(\omega t)$] ...

should be:

"... $-\cos(2\omega t)$] ...

In the third line of Eq. (D-7), the term:

"... $-\frac{1}{2}(\sin(\omega t))$..."

should be:

"... $-\frac{1}{4}(\sin(2\omega t))$..."

[Found by Julian Vrbancich, 10/23/12; [Author Error]

Dear Reader, if you find any additional errors, no matter how trivial, please notify me at: **R.Lyons@ieee.org**
I'd sure appreciate hearing from you and I promise I'll reply to your E-mail.

Thanks,
[-Rick Lyons-]

